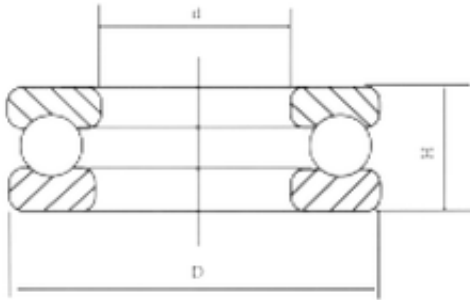


Bearing No. 51330M



Size	150x250x80 mm
Bore Diameter	150 mm
Outer Diameter	250 mm
Width	80 mm
d	150 mm
D	250 mm
H	80 mm