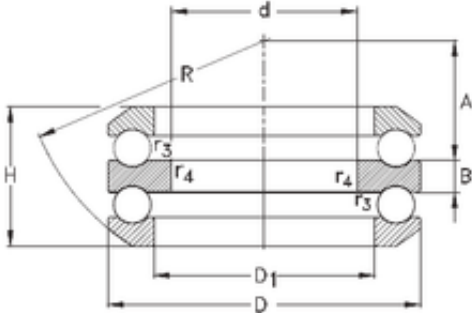


54305 NKE Thrust Ball Bearings

Bearing No. 54305



54305 Bearing 2D drawings and 3D CAD models

| | |
|-------------------------------|---------------|
| Size | 20x52x37.6 mm |
| Bore Diameter | 20 mm |
| Outer Diameter | 52 mm |
| Width | 37,6 mm |
| d | 20 mm |
| D | 52 mm |
| H | 37,6 mm |
| r1 min. | 1 mm |
| r2 min. | 1 mm |
| r3 min. | 0,3 mm |
| r4 min. | 0,3 mm |
| A | 18 mm |
| B | 8 mm |
| D1 | 27 mm |
| R | 45 mm |
| Weight | 0,32 Kg |
| Basic dynamic load rating (C) | 34,5 kN |
| Basic static load rating (C0) | 55 kN |