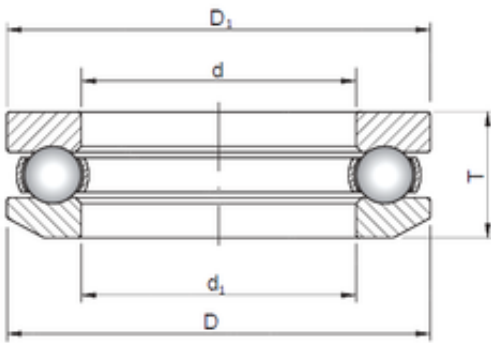


### Bearing No. 53205



Bore Diameter	25 mm
Outer Diameter	47 mm
d	25 mm
d1	27 mm
D	47 mm
D1	47 mm
T	16,7 mm
Weight	0,12 Kg
Basic dynamic load rating (C)	27,8 kN
Basic static load rating (C0)	50,4 kN
(Grease) Lubrication Speed	3600 r/min