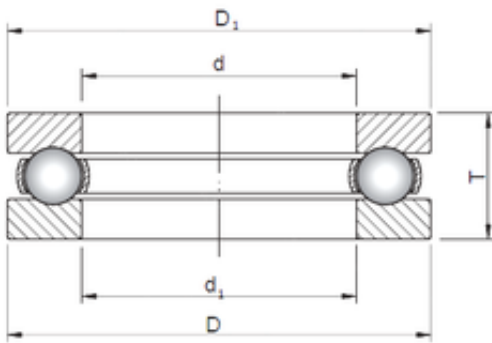


### Bearing No. 51330



Bore Diameter	150 mm
Outer Diameter	245 mm
d	150 mm
d1	154 mm
D	245 mm
D1	250 mm
T	80 mm
Weight	16,5 Kg
Basic dynamic load rating (C)	410 kN
Basic static load rating (C0)	1290 kN
(Grease) Lubrication Speed	670 r/min