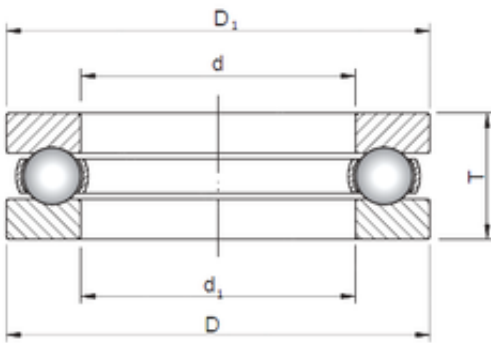


### Bearing No. 51117



Bore Diameter	85 mm
Outer Diameter	110 mm
d	85 mm
d1	87 mm
D	110 mm
D1	110 mm
T	19 mm
Weight	0,44 Kg
Basic dynamic load rating (C)	46,2 kN
Basic static load rating (C0)	150 kN
(Grease) Lubrication Speed	2000 r/min