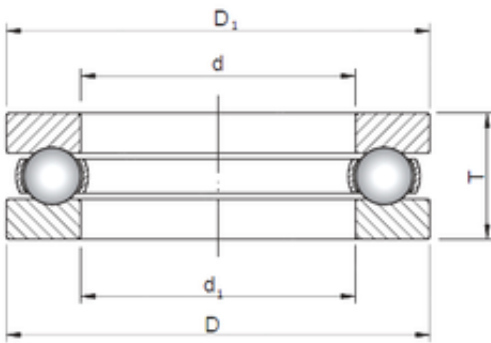


Bearing No. 51115



Bore Diameter	75 mm
Outer Diameter	100 mm
d	75 mm
d1	77 mm
D	100 mm
D1	100 mm
T	19 mm
Weight	0,4 Kg
Basic dynamic load rating (C)	44,2 kN
Basic static load rating (C0)	137 kN
(Grease) Lubrication Speed	2200 r/min